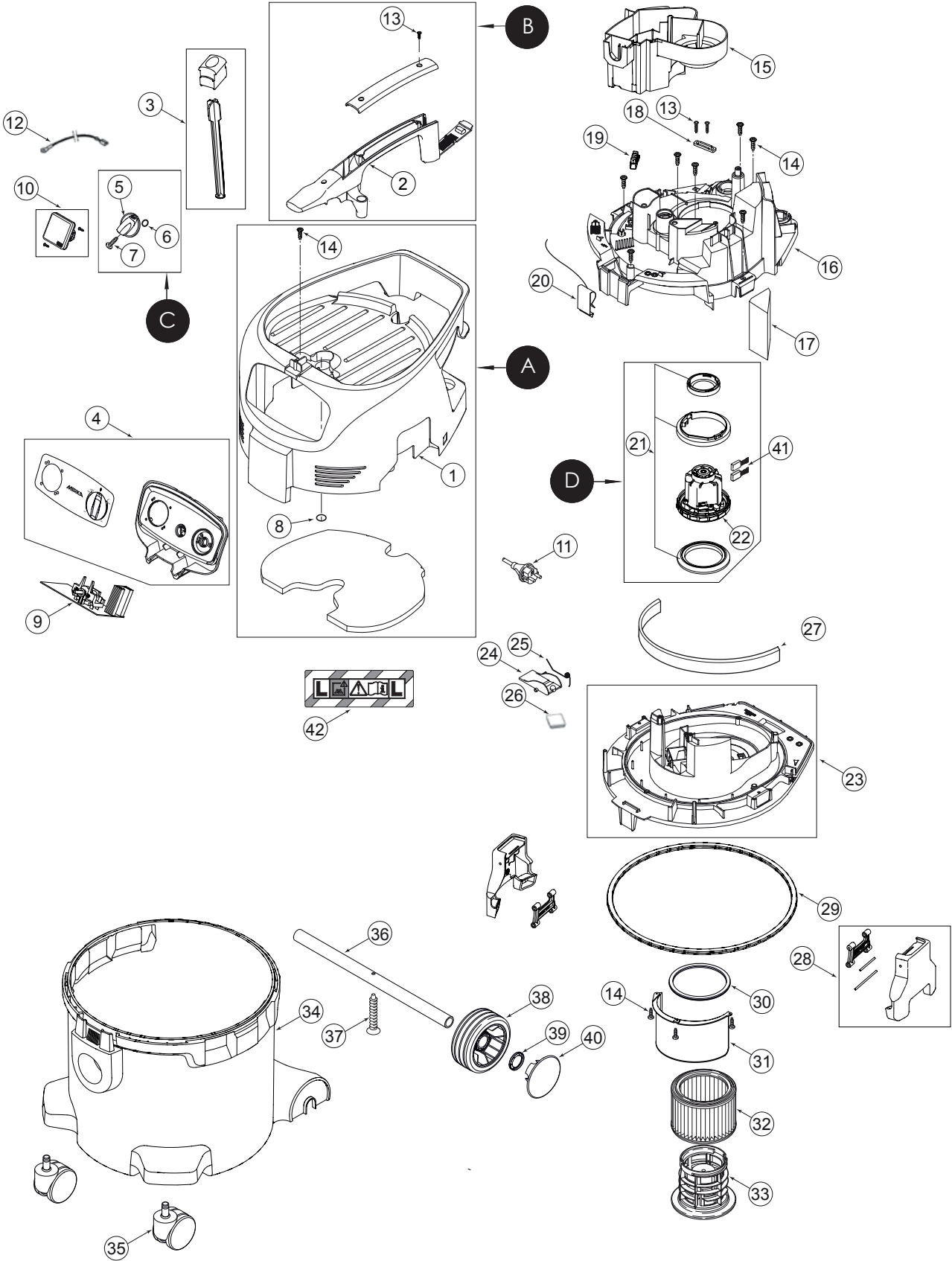


Exploded view of Dust Extractor 912 / 915 / 915L (230 & 110V)

Updated 03.02.2020



Dust Extractor 912/915/915L Spare Part kits

Electrical tool must be serviced by a qualified repair person and in accordance with national requirements.

Note! Repairs done by non-authorized repairer will breach the Mirka warranty.

Mirka Code	Item	Description	Kit	QTY	Model
8999701111	1	Cover		1	
	8	O-Ring	A	1	
	14	Screw-Set 5x18		13	
8999710111	2	Handle	B	1	
	13	Screw-Set 3.5x18		5	
8999603611	5	Rotary Knob		1	
	6	O-Ring	C	1	
	7	Screw		1	
8999723211	22	Motor Assembly (230V)		1	915
	21	Sealing Assembly	D	1	
	41	Carbon Brushes (2 pcs)		2	
8999322211	22	Motor Assembly (110-120V)		1	912*
	21	Sealing Assembly	D	1	
	41	Carbon Brushes (2 pcs)		2	

*** also used for Mirka 915 GB 110V**

Separate spare parts on next page.

Dust Extractor 912/915/915L Spare Parts

Mirka Code	Item	Description	Kit	QTY	Model
	1	Cover	A	1	
	2	Handle	B	1	
8999700311	3	Filter Deduster		1	
8999710411	4	Switchbox		1	
	5	Rotary Knob	C	1	
	6	O-Ring	C	1	
	7	Screw	C	1	
8999603711	8	O-Ring	A	1	
8999701911	9	Electronic Board 220-240V for DE 915		1	915
8999330911	9	Electronic Board 100-120V for DE 912/915		1	912*
8999601911	10	Socket 16A/250V (EU)		1	915
8999711011GB	10	Socket 13A/250V (GB)		1	915
8999711211GB	10	Socket 16A/110V (GB)		1	915
8999601711	10	Socket 15A/125V (US)		1	912
	10	Socket (AU/NZ)		1	915
8999711111	11	Power Cord (EU)		1	915
8999711211	11	Power Cord (GB 230V)		1	915
8999711311GB	11	Power Cord (GB 110V)		1	915
8999321111	11	Power Cord (US)		1	912
	11	Power Cord (AU/NZ)		1	915
8999701211	12	Wire 1x150 (220-240V)		1	915
	12	Wire 2.5x250 (100-120V)		1	912*
8999701311	13	Screw 3,5x18mm	B	5	
8999701411	14	Screw 5x18mm	A	13	
8999701511	15	Air Guide		1	
8999701611	16	Clamping Plate		1	
8999701711	17	Sound Insulation Outlet		1	
8999701811	18	Strap for Cable		1	
8999711911	19	Distribution Strip		1	
8999702011	20	Contact Spring		1	
8999702111	21	Sealing Assembly	D	1	
	22	Motor Assembly (230V)	D	1	915
	22	Motor Assembly (110-120V)	D	1	912*
8999702311	23	Base Plate		1	
8999702411	24	Flap		1	
8999602211	25	Torsion Spring		1	
8999702611	26	Plug Base Plate		1	
8999702711	27	Sound Insulation Front		1	
8999702811	28	Container Clamp		2	
8999702911	29	Gasket for Container		1	
8999601411	30	Gasket for Filter		1	

*also used for Mirka 915 GB 110V

Dust Extractor 912/915/915L Spare Parts

Mirka Code	Item	Description	Kit	QTY	Model
8999703111	31	Deflector		1	
8999600411	32	Filter		1	
8999602511	33	Filter Support Cage		1	
8999703411	34	Container		1	
8999703511	35	Caster		2	
8999703611	36	Wheel Axle		1	
8999703711	37	Screw 5x35mm		1	
8999601511	38	Rear Wheel 100x20mm		2	
8999703911	39	Ring		2	
8999704011	40	Hub Cap		2	
8999723511	41	Carbon Brushes (2 pcs)	D	2	915