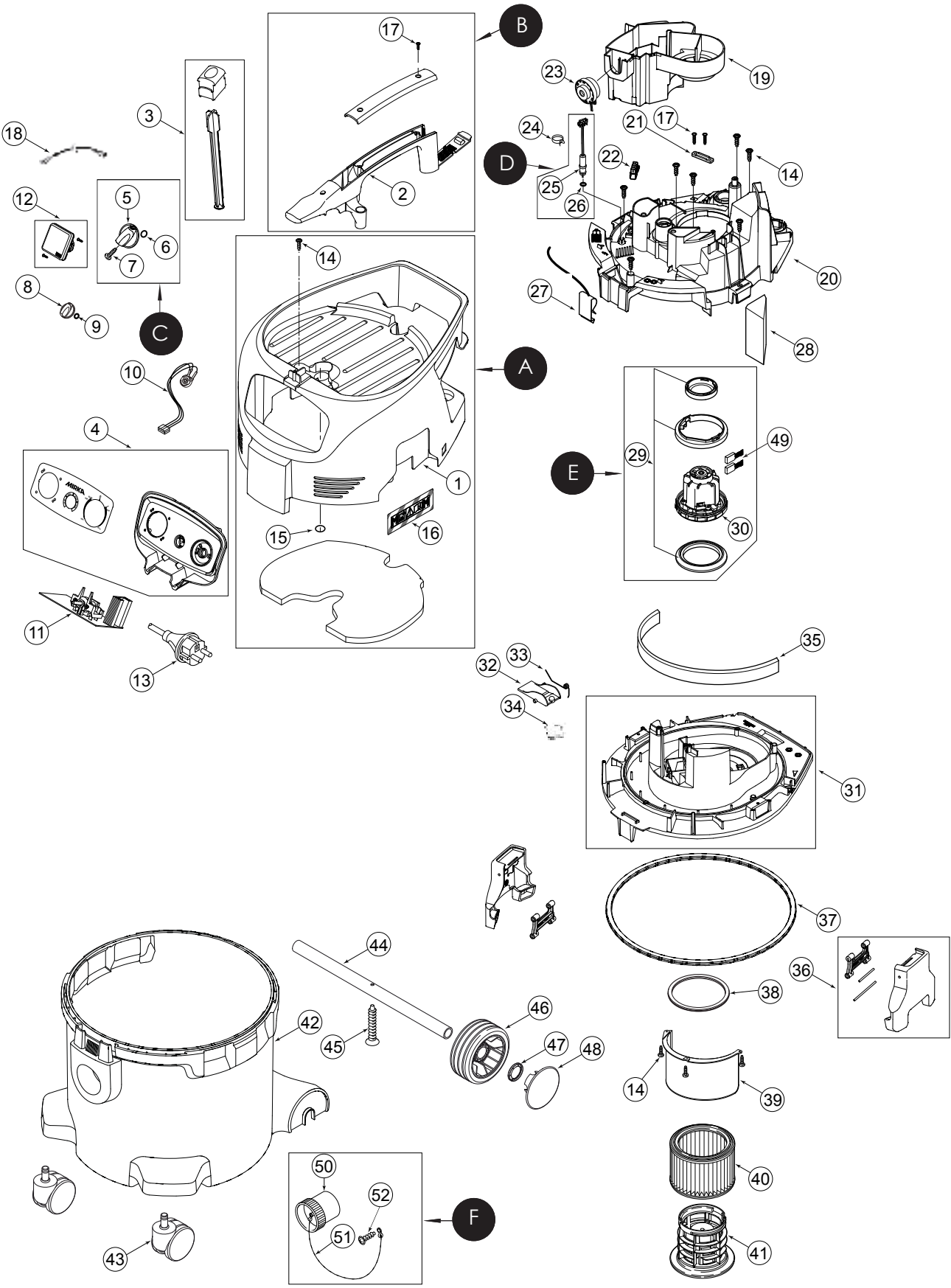


Exploded view of Dust Extractor 915M

Updated 28.05.2019



Dust Extractor 915M Spare Part kits

Mirka code	Item	Description	Kit	QTY	Model
8999701111	1	Cover		1	
	14	Screw 5x18 mm	A	3	M
	15	O-Ring		1	
	16	Label Dustclass M		1	
8999710111	2	Handle		B	
	17	Screw 3,5x18 mm		5	
8999603611	5	Rotary Knob		1	
	6	O-Ring	C	1	
	7	Screw		1	
8999752511	25	Electronic Flow Sensor		D	1
	26	O-Ring 4x1,5	1		
8999723211	30	Motor with Changeable Brushes 230 V		1	
	29	Sealing Assembly	E	1	
	49	Carbon Brushes		2	
8999754911	50	Container Plug			1
	51	Bead chain 15 mm	F	1	M
	52	Screw 3,5x8 mm		1	

Separate parts on next page.

Dust Extractor 915M Spare Parts

Mirka code	Item	Description	Kit	QTY	Model
	1	Cover	A	1	
	2	Handle	B	1	
8999700311	3	Filter Deduster		1	
8999700411	4	Switchboard for M-Class		1	M
	5	Rotary Knob	C	1	
	6	O-Ring	C	1	
	7	Screw	C	1	
	8	Turning Knob		1	M
	9	O-Ring		1	M
	10	Electronic Potentiometer		1	M
8999751111	11	Electronic Board 230-240V		1	M
8999601911	12	Socket (EU) 16A 250V		1	
8999711111	13	Power Cord (EU)		1	
8999701411	14	Screw 5x18 mm	A	13	
8999603711	15	O-Ring	A	1	
	16	Label Dustclass M	A	1	M
8999701311	17	Screw 3,5x18 mm	B	5	
8999701211	18	Wire 1x150 YE/GR (220-240V)		1	
8999701511	19	Air Guide		1	
8999701611	20	Clamping Plate		1	
8999701811	21	Strap for Cable		1	
8999711911	22	Distribution Strip		1	
8999752311	23	Piezo Buzzer		1	M
	24	Hose Clamp D10		1	M
	25	Electronic Flow Sensor	D	1	M
	26	O-Ring 4x1,5 mm	D	1	M
8999702011	27	Contact Spring		1	
	28	Sound Insulation Outlet		1	
8999702111	29	Sealing Assembly	E	1	
	30	Motor Assembly (230V)	E	1	
8999702311	31	Baseplate		1	
8999702411	32	Flap		1	
8999602211	33	Torsion Spring		1	
8999702611	34	Plug Base Plate Basic		1	
	35	Sound Insulation Front		1	
8999702811	36	Container Clamp		2	
8999702911	37	Gasket for Container		1	
8999601411	38	Gasket For Filter		1	
8999703111	39	Deflector		1	
8999600411	40	Filter		1	
8999602511	41	Filter Support Cage		1	
8999703411	42	Container		1	
8999703511	43	Caster		2	
8999703611	44	Wheel Axle		1	
8999703711	45	Screw 5x35 mm		1	
8999601511	46	Rear Wheel		2	
8999703911	47	Ring		2	
8999704011	48	Hub Cap		2	
8999723511	49	Carbon Brushes	E	2	
	50	Container Plug	F	1	M
	51	Bead Chain 15 mm	F	1	M
	52	Screw 3,5x8 mm	F	1	M