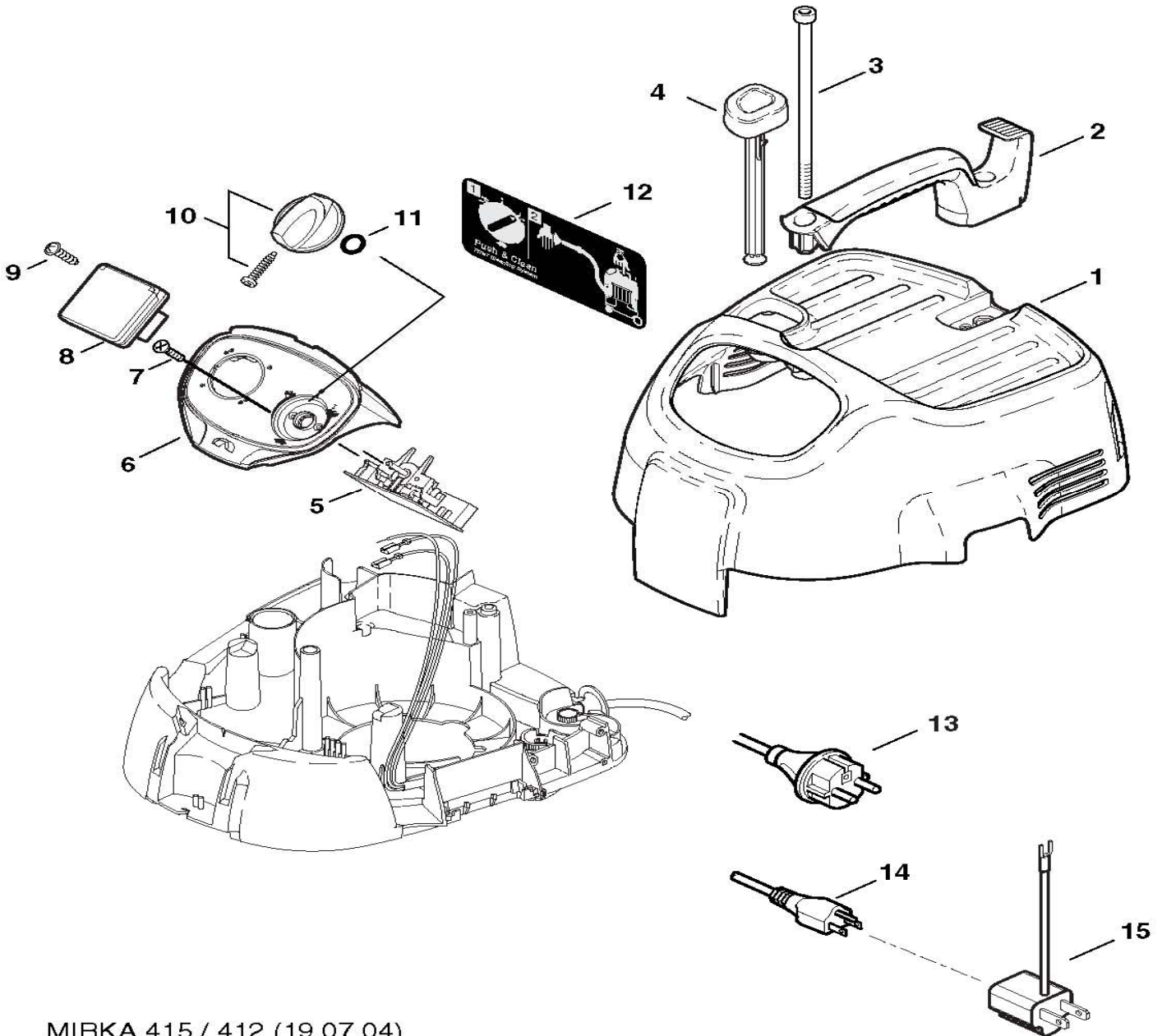


# Exploded view for Dust Extractor 415/412

Updated 27.12.2016

**Picture 01**

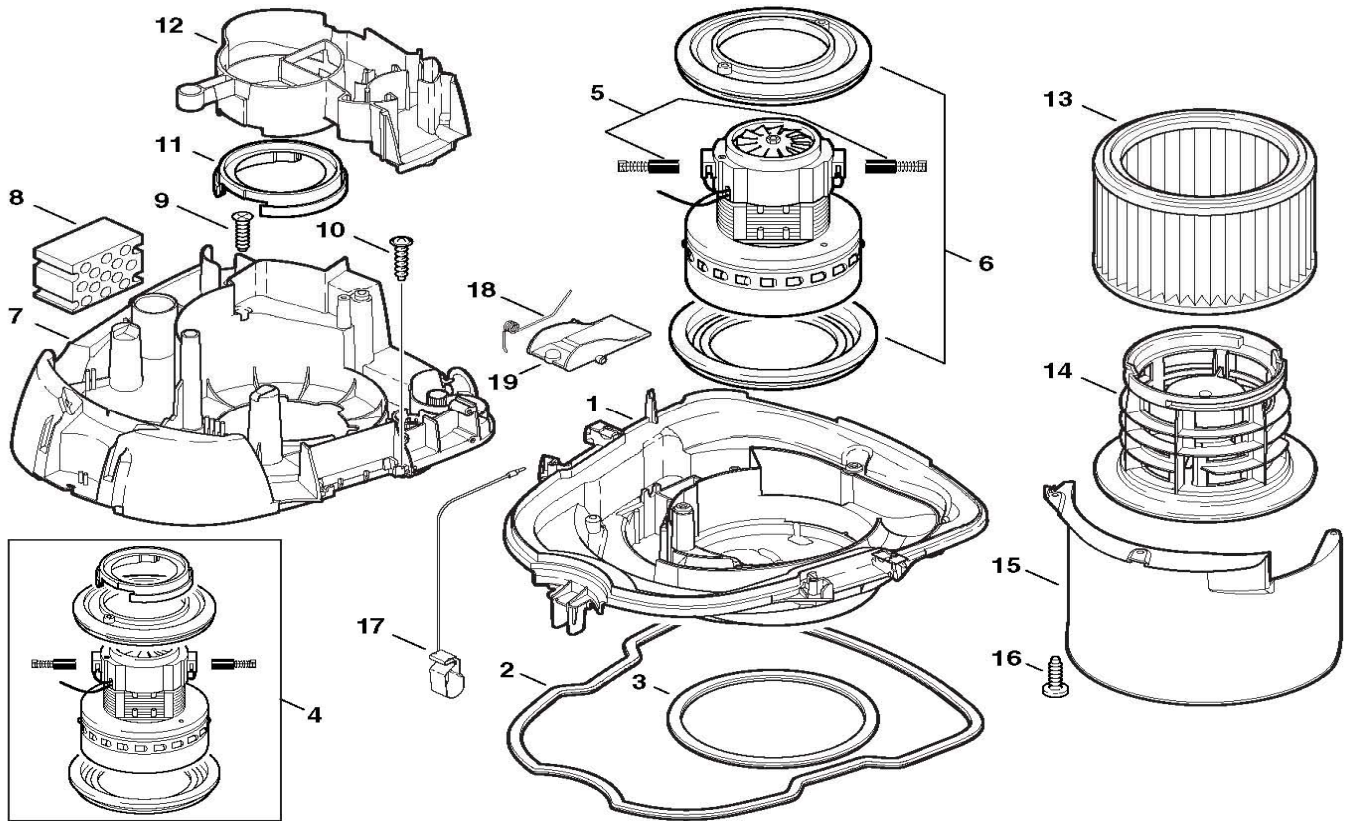


MIRKA 415 / 412 (19.07.04)

# Exploded view for Dust Extractor 415/412

Updated 27.12.2016

Picture 02

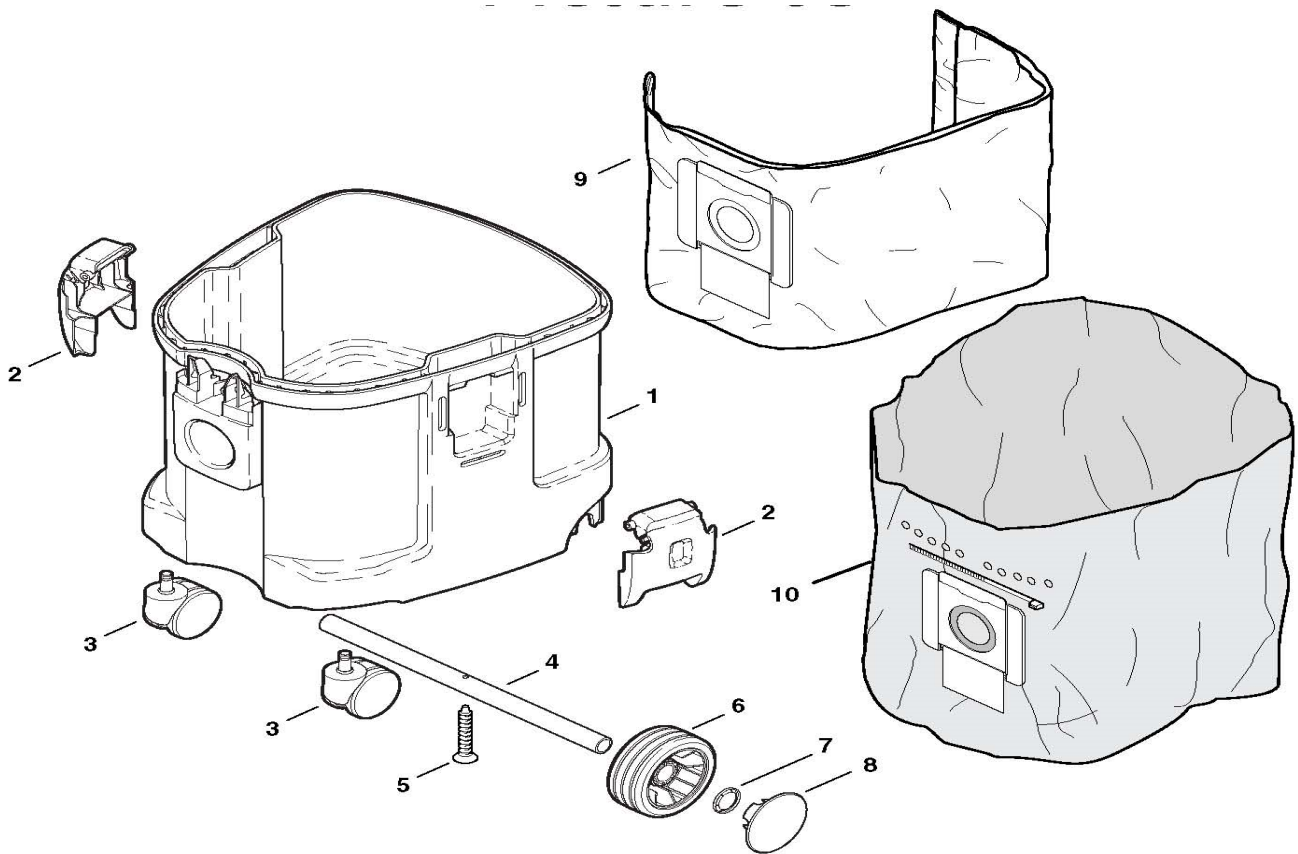


MIRKA 415 / 412 (19.07.2004)

# Exploded view for Dust Extractor 415/412

Updated 27.12.2016

Picture 03



MIRKA 415 / 412 (19.07.2004)

## Dust Extractor 412 & 415 Spare parts

Picture	Mirka code	Item	Description
<b>Picture 01</b>	8999603311	1	Hood w.soundproofing
	8999602111	2	Handle
		3	Screw M6x140 ISO 4762
	8999602411	4	Filter deduster
	8999600811	5	Electronic EA.w.speed 220-240V
	8999500811	5	Electronic with speed 100-120V
	8999602911	6	Switch box
	8999603811	7	Countersunk screw M4x12 ISO 7046
	8999601711	8	Outlet box 2-polig+PE 15A/125V (US/CSA)
	8999601911	8	Outlet box 2-polig+PE 16A/250V (DE)
	8999603511	9	Screw EJOT- KA35x18 WN 1411
	8999603611	10	Rotary knob ø6x5
	8999603711	11	O-Ring 10.0x2,5
	8999603411	12	Label dedusting of filters
	8999603211	13	Power cord H05RR-F 3G1,5x8,2 CEE7/VII (EU)
	14	Power cord SJTW-A AWG14/3x8,2 Nema (US)	
	15	Adapter (JP)	
<b>Picture 02</b>	8999601211	1	Base
	8999601311	2	Gasket for container
	8999601411	3	Gasket for filter
	8999806111	4	Motor 230 V 1200W
	8999406111	4	Motor 100 V 1200W
	<b>8999809111</b>	<b>5</b>	<b>Carbon brush set for C-class 415+415M</b>
	8999659111	5	Carbon brush set for M-class 412
		5	Carbon brush set for L-class
		6	Motor bearing ring set for C-class
		6	Motor bearing ring set for L+M-class
	8999602011	7	Clamping plate
		8	Diffusor 82.4x63.5x45
		9	Screw EJOT- KA50x20 WN 1413
	8999603511	10	Screw EJOT- KA35x18 WN 1411
		11	Collar for 1200W
		12	Air duct
	8999600411	13	Filter element ø185x140 Set
	<b>8999602511</b>	<b>14</b>	<b>Filter support cage</b>
	8999601811	15	Deflector 260x150x212
8999603011	16	Screw f.plastic 5.0x18	
8999603111	17	Contact spring	
8999602211	18	Torsion spring ø0.9x18x45	
8999702411	19	Dedusting flap 79x53x25	
<b>Picture 03</b>		1	Container w.fitting
	8999601611	2	Locking clamp
	<b>8999703511</b>	<b>3</b>	<b>Caster</b>
	8999602611	4	Axle ø20x1.5x345
	8999609111	5	Screw EJOT- KA50x35 WN 1413
	8999601511	6	Wheel ø100x20
	8999703911	7	Clamping ring ø28,6/ ø20x1,3
	8999602811	8	Hub cap
	8999600211	9	Filter bag Set -5 neutral
	8999600311	10	Disposal bag Set, 5 pcs